

SOLTRAK

Install Faster with Our

BOS KIT



Your Solar Supply Partner

SOLTRAK

Your Solar Supply Partner

We are SOLTRAK, and our mission is simple: to make your transition to solar efficient, reliable, and seamless.

The true power of solar lies not just in the panels, but in the Balance of System (BOS) the unseen components that hold your energy future together.

Our Focus:

We specialize exclusively in providing top-tier BOS Solar Products (mounting structures, inverters, cables, and more).

Our Promise:

To be the single, reliable source for the foundational hardware that guarantees your solar array performs at its peak, day in and day out.

SOLTRAK:

Tracking the Sun, Powering the System.

INDEX

3

STRUCTURE ACCESSORIES

4

WIRING ACCESSORIES

5

PVC ACCESSORIES

6

CONNECTOR ACCESSORIES

7

PANEL MOUNTING ACCESSORIES

8

EARTHING ACCESSORIES

9

ALUMINIUM STRUCTURE ACCESSORIES

10

ABDB-DCDB COMBO SET/
COMMERCIAL DB PANEL

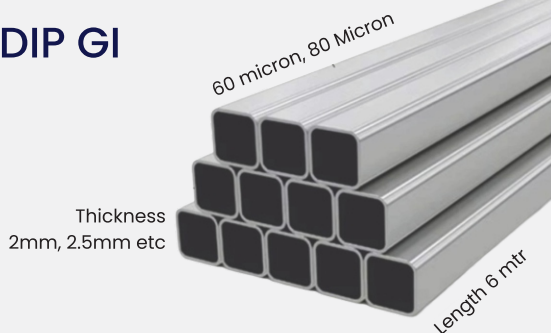
11

OTHER ACCESSORIES



STRUCTURE ACCESSORIES

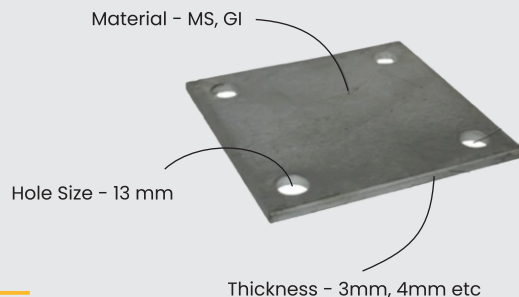
HOT DIP GI PIPE



Size:

- | | | |
|---------|---------|---------|
| 40 * 40 | 25 * 25 | 72 * 72 |
| 40 * 60 | 25 * 50 | 48 * 96 |
| 40 * 80 | 50 * 50 | ETC... |

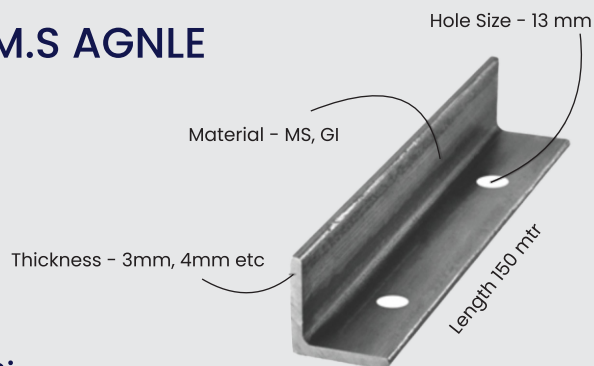
BASE PLATE



Size:

- | | |
|-----------|-----------|
| 100 * 100 | 125 * 125 |
| 150 * 150 | ETC... |

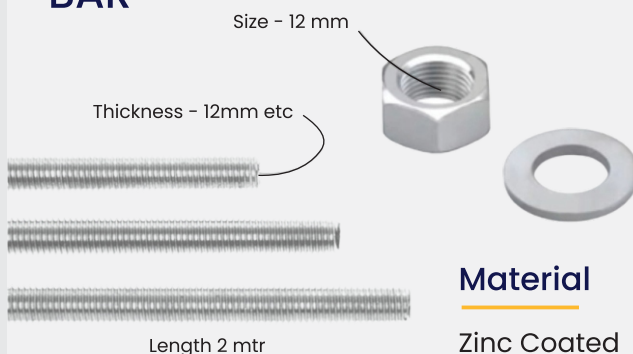
M.S AGNLE



Size:

- | | |
|---------|--------|
| 37 * 37 | ETC... |
|---------|--------|

FULL THREAD BAR



Material

Zinc Coated



WEDGE BOLT



RAWL BOLT



PIN BOLT

Size: M10, M12, Etc...

Length : 75mm, 100mm, 125mm Etc...



ZINC SPRAY

Qty : 500ML, Etc...



FOUNDATION BAG

Qty : 20KG, Etc...

Brand : Creton Solace



MOULD

Size : 9*9*6, 9*9*12, Etc

Material : PP



WIRING PRODUCT

ALUMINIUM CABLE



Size:

165Qmm, Etc...

Material:

Aluminium

Coil Size:

100 mtr

EARTHING CABLE



Size:

165Qmm, Etc...

Material:

Aluminium

Coil Size:

100 mtr

Brand

Creton Solace, Etc...

AC CABLE



Size:

2.55Qmm, 45Qmm, Etc...

Material:

Copper

Coil Size:

100 mtr

Brand

Polycab, Etc...

Coil Size:

Red, Black, Green

DC CABLE



Size:

2.55Qmm, 4SQmm, Etc...

Material:

Copper

Coil Size:

500 mtr

Brand

Polycab, Etc...



PVC ACCESSORIES

PVC PIPE



Quality:

LMS, MMS,
Etc...

Pack Size:

50, 100,
Etc...

Brand:

Polycab,
Solace

ELBOW



Size :
25mm, Etc...

Brand:
Creton Solace

TEE



Size :
25mm, Etc...

Brand:
Creton Solace

BEND



Size :
25mm, Etc...

Brand:
Creton Solace

SS TIES



Size :
4.6*450mm, 4.6*300, Etc

Material
SS 304

UV TIES



Size :
4.6*300, Etc

Material
Plastic

PVC CLAMP



Size :
25mm, Etc

Colour
White

Pack Size:
100



CONNECTOR

ACCESSORIES

MC4 CONNECTOR



Voltage :

1000VDC, 1500VDC

Water Resistance

Ip67

Make

Sibass, Elmax, Etc...

Y CONNECTOR



Voltage :

1500VDC

Water Resistance

Ip67

Make

Sibass

3 IN 1 CONNECTOR



Voltage :

1500VDC

Water Resistance

Ip67

Make

Sibass, Elmax, Etc...

WIRE HARNESS



Voltage :

1500VDC

Water Resistance

Ip67

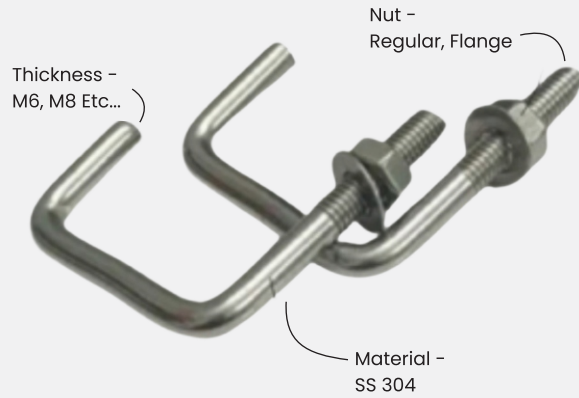
Make

Sibass Etc...



PANEL MOUNTING ACCESSORIES

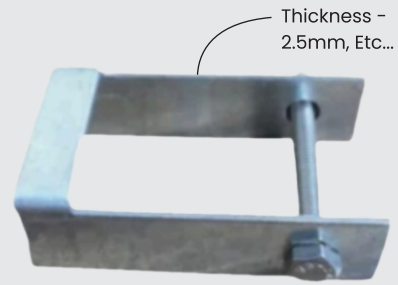
J BOLT



Size:

50*40*25, 55*40*25, 75*40*25, Etc...

C - CLAMP



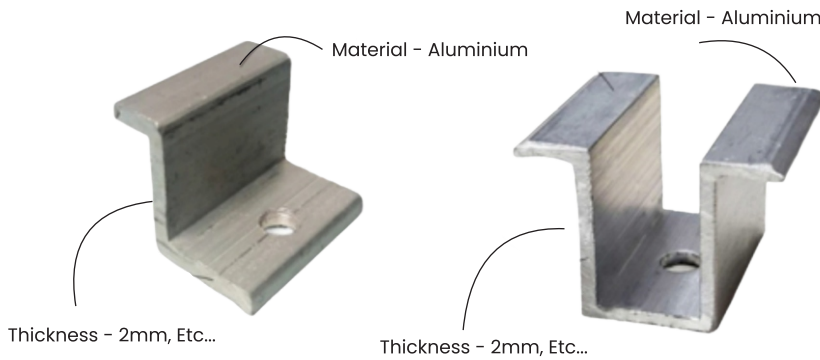
Material

GP, GI

Size:

40*40, 40*60

MID CLAMP & END CLAMP



Mid Clamp Size :

10mm, 30mm, 35mm, Etc...

End Clamp Size :

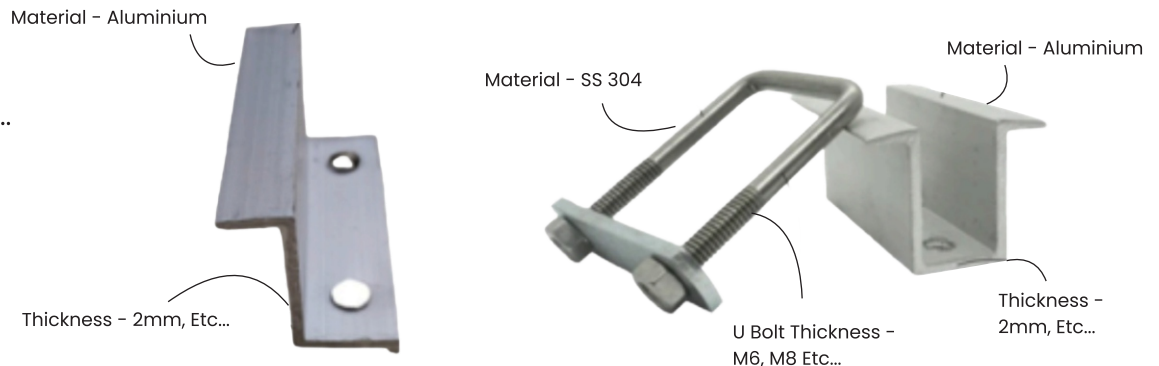
30mm, 35mm, Etc...

Size :

30mm, 35mm, Etc...

U Bolt Size :

70*40*70, Etc...





EARTHING

ACCESSORIES

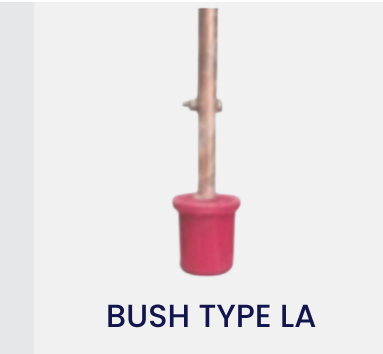
EARTHING KIT



EARTHING ROD



4 SPIKE LA



BUSH TYPE LA



LUGS



FRP TYPE LA

Qty of Rod:

3

Micron:

Standard, 100, 250, Etc...

Lightning Arrester:

4 Spoke, Single Spike

Earthing Bag:

10 Kg



EARTHING GI ROD

Material:

GI

Length:

48*3, 48*2,
48*1, Etc...



ESE L.A.

Radius:

3

Pole Size:

3 Mtr, 5 Mtr, Etc...

EARTHING PIT COVER

EARTHING STRIP



ROUND PIT



SQURE PIT



HEAVY PIT







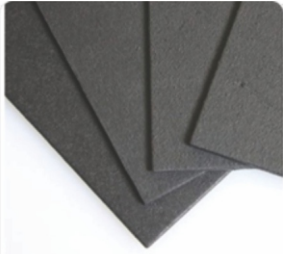



ALUMINIUM STRUCTURE

ACCESSORIES

ALUMINIUM MONORAIL

| | | | |
|---|---|--|---|
|  |  |  |  |
| Size : 100*300 | Size : 60*300 | Size : 31*41 | Size : 41*41 |
|  |  | <p>Material: Aluminium</p> <p>Thickness: 2 mm</p> <p>Length: 100mm, 300mm, Etc...</p> | |
| Size : 100*100 | Size : 65*300 | | |

ALUMINIUM STRUCTURE ACCESSORIES

| | | |
|---|---|---|
|  |  |  |
| SPRING NUT | RAIL NUT | EPDM RUBBER |
|  |  |  |
| SDS SCREW | REVIT | LN BOLT |



ACDB-DCDB COMBO SET

ACDB-DCDB
(DISTRIBUTION BOX)
- 1 to 5 KW

ACDB-DCDB
(DISTRIBUTION BOX)
- 6 to 10 KW

| | | | | | | | | |
|------------------------------|-----------------------------------|--------------------|------------------------------|-----------------------------------|--------------------|------------------------------|-----------------------------------|--------------------|
| | | | | | | | | |
| MCB: | SPD: | Gland: | MCB: | SPD: | Gland: | MCB: | SPD: | Gland: |
| Havells, L&T, C&S, Etc... | Elmax, Finder, Havells, Etc... | Kripson, Etc... | Havells, L&T, C&S, Etc... | Elmax, Finder, Havells, Etc... | Kripson, Etc... | Havells, L&T, C&S, Etc... | Elmax, Finder, Havells, Etc... | Kripson, Etc... |

COMMERCIAL DB PANEL

COMMERCIAL ACDB-DVDB (DISTRIBUTION BOX)



50 KW



100 KW



150 KW



250 KW



400 KW



500 KW



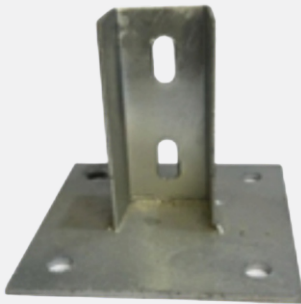
OTHER PRODUCTS



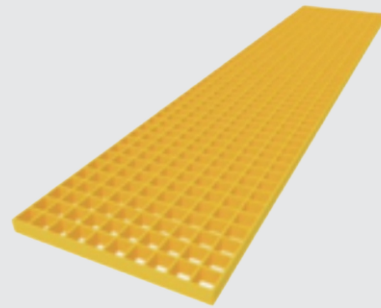
CRIMPING TOOL



Mc4 SPANNER



STRUT CHANNEL BASE PLATE



WALKWAY



WALKWAY M CLAMP



WALKWAY C CLAMP

SOLTRAK

+91 75670 92000

soltrakpvt@gmail.com

Soltrak Private Limited

Ground Floor, KN-566, Shivani Nagar, Shaheed Path Road,
Aurangabad Jagir, Lucknow, Uttar Pradesh – 226012

WE ARE DEAL IN

adani

WAAREE
One with the Sun

RAYZON
SOLAR

UTL

VSOLE
TECHNOLOGY BEYOND IMAGINATION

LUMINOUS
Inverter • UPS • Battery